

Receiver

 Society
 Reference
 Address
 Phone
 Fax
 E-mail

From

 White International Pty Ltd
 52-60 Ashford Avenue, Milperra, NSW, 2214
 -
 -
 pumpsales@whiteint.com.au

Item n° :

102970260

Model :

EUROINOX 30/50 M

Pump data

 Pressure rating : 8 bar (800 kPa)
 Min. fluid temperature : 0 °C
 Max. fluid temperature : 35 °C
 Max. Temperature operating : 40 °C

Requested data

 Flow : 0.00 m³/h
 Head : 0.00 m
 Fluid : Water, pure
 Fluid Temperature : 20 °C
 Density : 0.9983 kg/dm³
 Kinematic viscosity : 1.005 mm²/s
 Vapor pressure : 2.34 kPa

Hydraulic data (duty point)

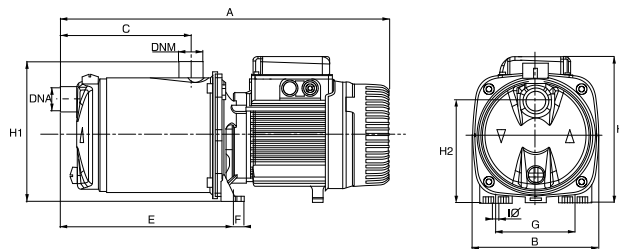
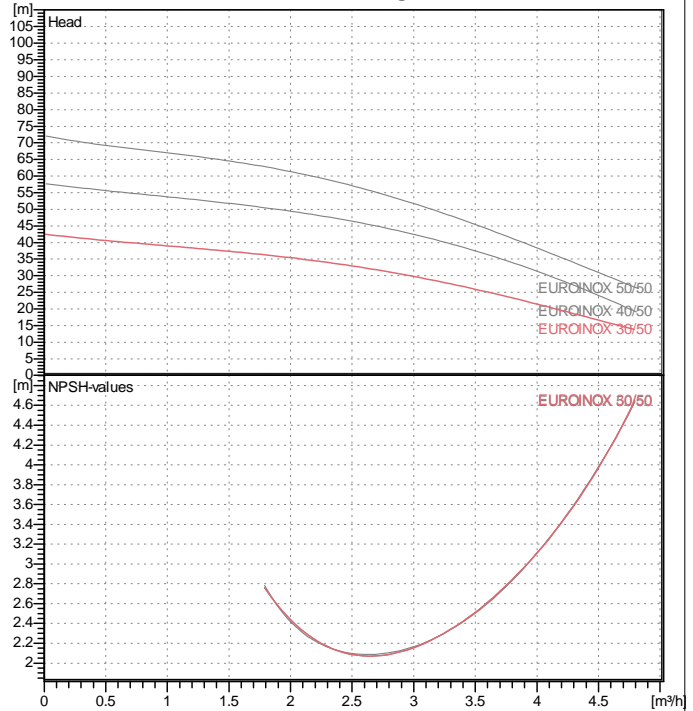
 Flow :
 Head :

Materials

 Pump body : AISI 304 X5 Cr Ni 1810 UNI 6900/71
 Impeller : Technopolymer
 Shaft with rotor : AISI 304 X5 Cr Ni 1810 UNI 6900/71
 OR ring : Nbr
 Diff user : Technopolymer
 Mechanical seal : Carbon/Ceramic
 Disc seal : AISI 304 X5 Cr Ni 1810 UNI 6900/71

Motor data

 Motor brand : DAB
 Nominal power P2 : 0.55 kW
 Rated speed : 2800 1/min
 Rated voltage : 1~ 230 V 50 Hz
 Nominal current : 3.9 A
 Degree of protection : IP 44

Curve tolerance according to ISO 9906

Weight : 10.7 kg

Dimensions in mm

| Dimension | Value | Dimension | Value | Dimension | Value |
|-----------|-------|-----------|-------|-----------|-------|
| A | 384 | DNM | 1" G | H | 193 |
| B | 174 | E | 186 | H1 | 196 |
| C | 108 | F | 13.5 | H2 | 143 |
| DNA | 1" G | G | 111 | IO | 9 |

Pump connection

 Suction side : 1" G / 8 bar (800 kPa)
 Discharge side : 1" G / 8 bar (800 kPa)



PERFORMANCE CURVES

2014-06-11

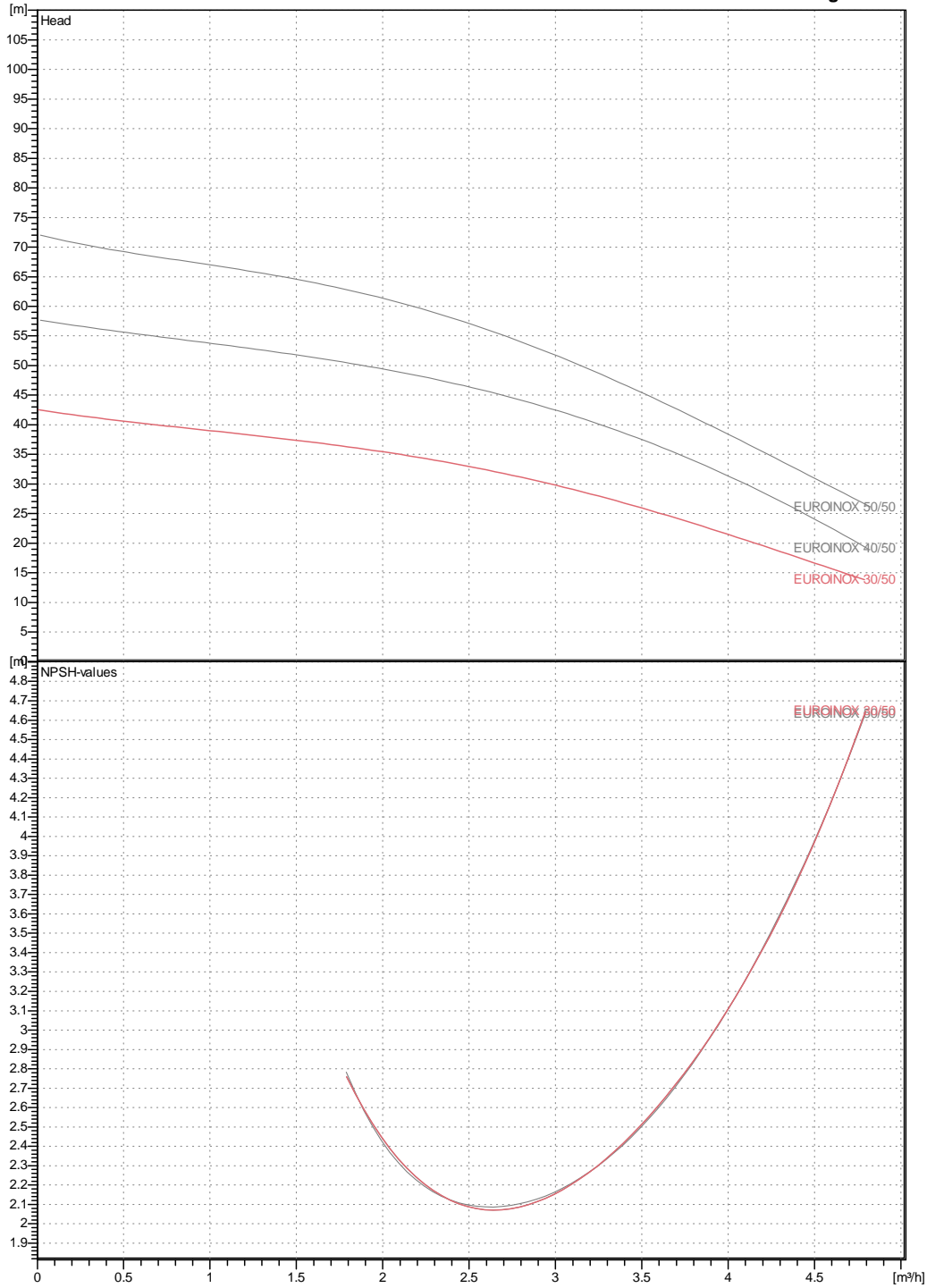
Page 2 / 3

DAB PUMPS S.p.A.
Via Marco Polo, 14 - 35035 Mestrino (PD), Italy
Tel. +39 049 5125000 - Fax +39 049 5125950
www.dabpumps.com

| | | |
|---|-----------------|--|
| Society Reference Address Phone Fax E-mail | Receiver | From |
| | | White International Pty Ltd . 52-60 Ashford Avenue, Milperra, NSW, 2214 - - pumpsales@whiteint.com.au |

EUROINOX 30/50 M

Curve tolerance according to ISO 9906



Hydraulic data (duty point)

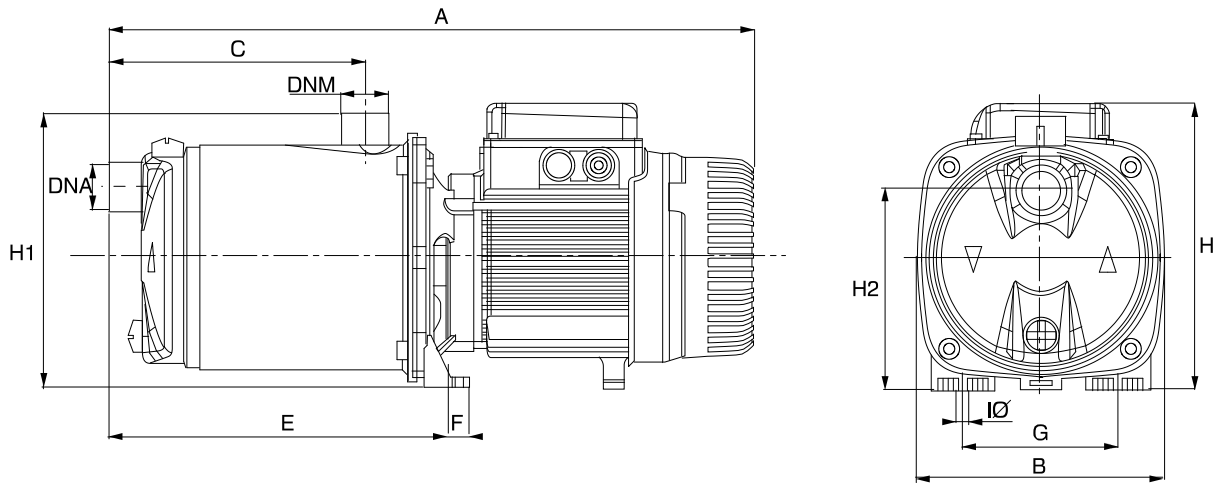
| | | | | |
|---|---|------------------|---------------|----------------------------|
| Suction side 1" G 8 bar (800 kPa) | Discharge side 1" G 8 bar (800 kPa) | Flow : 0 m³/h | Head : 0 m | Rated speed: 2800 1/min |
| Project | Project ID | Created by | Created on | 2014-06-10 |

Receiver
From

 Society
 Reference
 Address
 Phone
 Fax
 E-mail

 White International Pty Ltd
 .
 52-60 Ashford Avenue, Milperra, NSW, 2214
 .
 .
 pumpsales@whiteint.com.au

EUROINOX 30/50 M


Dimensions in mm

| | | | | | | |
|----|-----|------|-----|-----|--|--|
| 1 | A | 384 | H2 | 143 | | |
| 2 | B | 174 | I Ø | 9 | | |
| 3 | C | 108 | | | | |
| 4 | DNA | 1" G | | | | |
| 5 | DNM | 1" G | | | | |
| 6 | E | 186 | | | | |
| 7 | F | 13.5 | | | | |
| 8 | G | 111 | | | | |
| 9 | H | 193 | | | | |
| 10 | H1 | 196 | | | | |

Pump connection

Suction
 1" G
 8 bar (800 kPa)

Discharge
 1" G
 8 bar (800 kPa)

Project

Project ID

Created by

Created on

2014-06-10